

# ENCLOSURE HEATERS

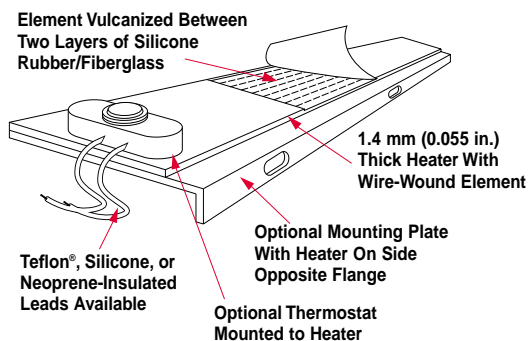
## Safe and Reliable Heating Units Ideal for Harsh Applications

Designed for freeze and condensation protection, Watlow's enclosure heaters are rugged, reliable and safe to operate. These rectangular-shaped, wire-wound silicone rubber heaters can be ordered by themselves with adhesive or vulcanized to an aluminum mounting plate. A thermostat can be attached to the heater or mounted separately. Pictured are units with thermostat on heater in foreground and heater with remote thermostat in background.

### Performance Capabilities

Contact factory for specific application and approvals.

- Watt density rating of 0.8 W/cm<sup>2</sup> (5 W/in<sup>2</sup>)
- Temperatures to 66°C (150°F)



Your Authorized Watlow Distributor is:



### Features and Benefits

#### Various mounting options

- Assures easy installation

#### More than 72 heater variations available

- Ensures quick delivery

#### No exposed electrical connections

- Provides safe and reliable operation

#### Custom leads

- Available in any length needed

### Applications

Freeze or condensation prevention in housings containing electronic equipment. Examples include:

- Traffic signal boxes
- Automatic teller machines
- Temperature control panels
- Gas or liquid control valve housings



2101 Pennsylvania Drive  
Columbia, Missouri 65202 USA  
Phone: +1 (573) 474-9402  
FAX: +1 (573) 474-5859  
Internet: [www.watlow.com](http://www.watlow.com)  
e-mail: [info@watlow.com](mailto:info@watlow.com)

COL-EH-0303

Teflon® is a registered trademark of E.I. du Pont de Nemours & Company.

© 2003 Watlow Electric Manufacturing Company

Printed in the USA on Recycled Paper, 15% Postconsumer Waste

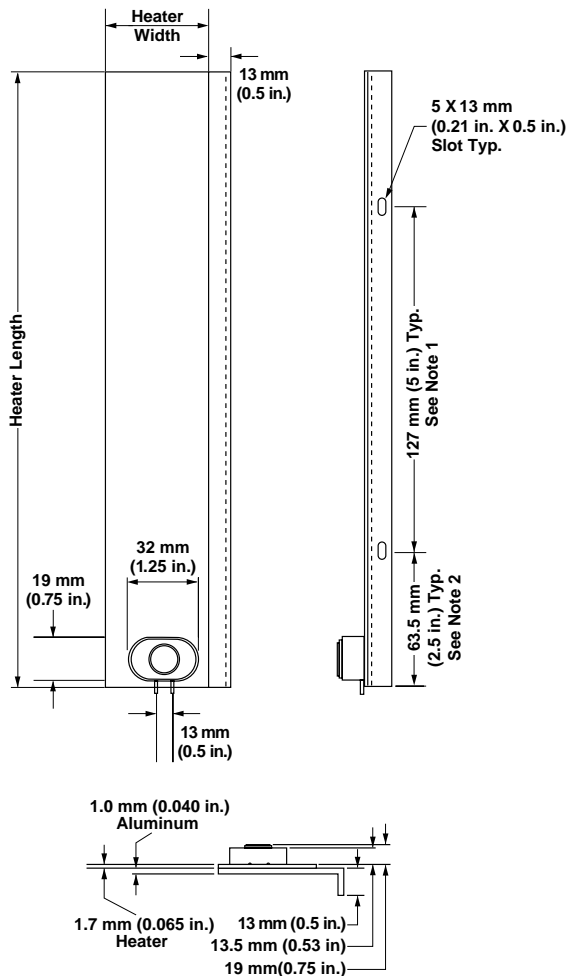


## Options

### Aluminum Mounting Plate

Both vertical and horizontal mounting can be accomplished with enclosure heaters. The mounting plates are 1 mm (0.040 inch) thick, specified as #3003 H14 aluminum. The preferred orientation is vertical, with a thermostat attached at the lower end (as shown in the drawing).

For horizontal mounting, a remote thermostat is recommended. An enclosure heater can be ordered by itself, with PSAS or vulcanized to an aluminum mounting plate. Contact the factory for more information.



## Thermostats

### Mounted on Heater

Built-in snap action thermostats from Watlow are designed to sense air temperature.

### Remote From Heater

For an air sensing thermostat separate from the heater, the ST-207E is ideal. This is a modified ST-207 mounted on a 0.8 mm (0.03 inch) thick G-10 circuit board with the thermostat's metal cap exposed to sense air temperature. The thermostat is placed at the midpoint of the lead length. The sensor can be preset at the temperatures listed for integral sensors.

### Notes:

1. On both integral and remote sensors, the thermostat's exposed metal cap is vulnerable to impact. This could defeat the thermostat's switching action and cause heater malfunction.
2. T-10 thermostats are not recommended for enclosure heating applications.

**North American Sales Offices:** Atlanta, (770)972-4948 • Austin, (512)249-1900 • Birmingham, (205)678-2358 • Charlotte, (704)573-8446 • Chicago, (847)458-1500 • Cincinnati, (513)398-5500 • Cleveland, (330)467-1423 • Dallas, (972)620-6030 • Denver, (303)798-7778 • Detroit, (248)651-0500 • Eastern Canada, (450)433-1309 • Houston, (281)440-3074 • Indianapolis, (317)575-8932 • Kansas City, (913)897-3973 • Los Angeles, (714)935-2999 • Louisiana, (318)864-2864 • Maryland/Virginia, (215)345-8130 • Minneapolis/Manitoba, (952)892-9222 • Nashville, (615)264-6148 • New England, (603)882-1330 • New York/New Jersey/Philadelphia, (215)345-8130 • New York, Upstate, (716)438-0454 • Ontario, (905)979-3507 • Orlando, (407)351-0737 • Phoenix, (602)298-6960 • Pittsburgh, (412)322-5004 • Portland, (503)245-9037 • Raleigh/Greensboro, (336)766-9659 • St. Louis, (314)878-4600 • Sacramento, (707)425-1155 • San Diego, (714)935-2999 • San Francisco, (408)434-1894 • Seattle, (425)222-4090 • Tampa/St. Petersburg, (407)647-9052 • Tulsa, (918)496-2826 • Western Canada, (604)444-4881 • Wisconsin, North (920)993-2161 • Wisconsin, South (262)723-5990

**Asian Sales Offices:** Australia, +61 (3) 9335-6449 • China, +86 (21) 6277-2138 • Japan, +81 (03) 5403-4688 • Korea, +82 (02) 575-9804 • Malaysia, +60 (4) 641-5977 • Singapore, +65 777-9488 • Taiwan, +886 (0) 7-288-5168

**European Sales Offices:** France, +33 (01) 3073-2425 • Germany, +49 (0) 7253-9400-0 • Italy, +39 (02) 458-8841 • United Kingdom, +44 (0) 115-964-0777

**Latin American Sales Office:** Mexico, +52 (442) 217-6235