

Accessories

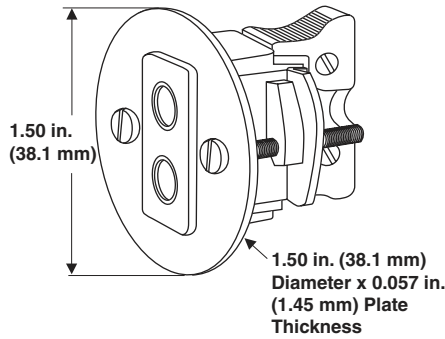
Connector Systems

Panel Mount Hardware

Single Panel Mount Hardware, 425°F

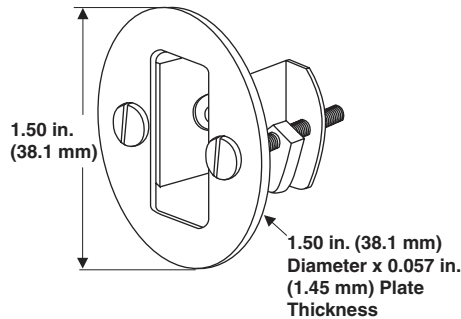
Designed for use with Watlow's "S" standard thermocouple connectors, these units fit panels up to 7/16 inch thick. Panel cutout: 1 1/8 inch to 1 5/32 inch hole. Units fit into standard 3/4 inch knockouts.

SKP Style



Single circuit panel mount with quick-disconnect jack included. Available calibrations J, K, T, R/S and Cu/cu.

SNP Style



Panel mount hardware only without Watlow name.*

Ordering Information—To order, complete the part number on the right with the information below:

1 2 3 4 5 6 7
S K P - -W A T

1-2-3. "SKP" SERIES Single Panel Mount Standard Connector, 218°C (425°F)

4. Calibration

J = Type J

K = Type K

T = Type T

5. Name Plate

W = With Watlow name

6-7. Color Code

AT = ASTM E 230 color code

Note: All accessories subject to minimum purchase quantities.