

Accessories

Connector Systems

Miniature Thermocouple Connector System, 400°F

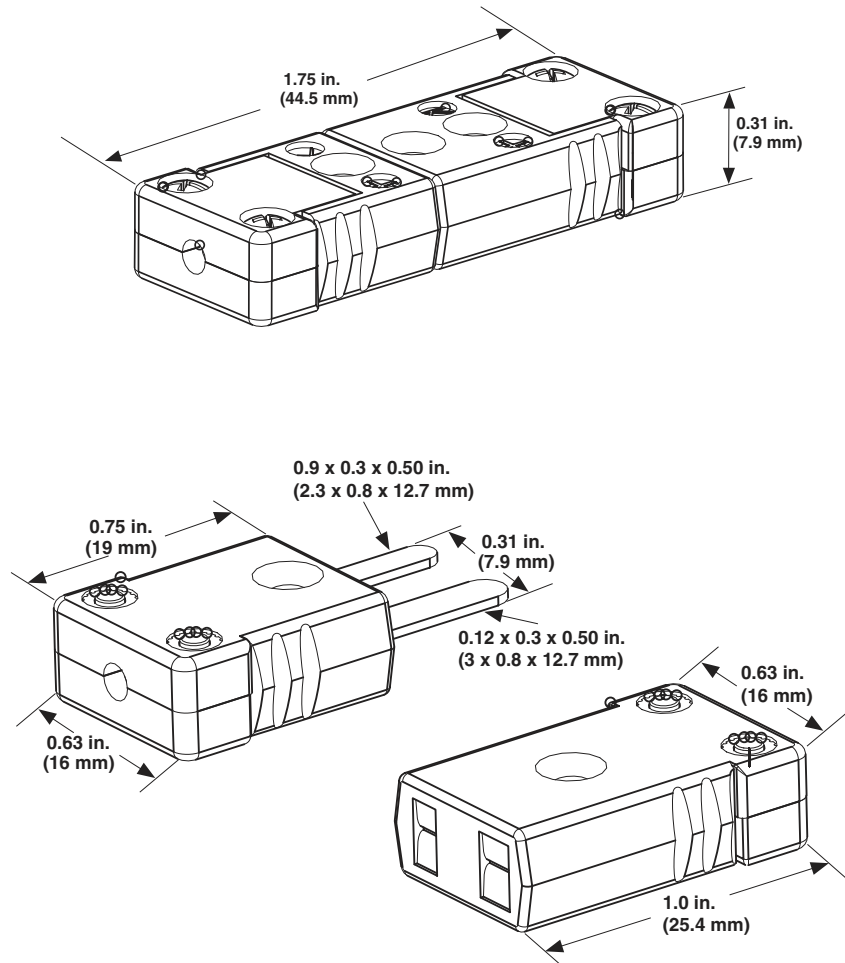
- Miniature design—mates with other miniature size thermocouple connectors
- Molded-in pin contacts assure precise alignment (no loose, wobbly parts)
- Rugged, high quality, high performance connectors
- Employ matching thermocouple alloy materials
- Available in all standard calibrations and copper-copper, ASTM E 230 color-coded
- Exclusive channel design isolates the wires for clean, strong signals.

Connection Method

Simply insert the stripped ends of your thermocouple wire between contact base and washer, tighten down the two terminal screws and you're finished. There are no loose parts to contend with. Do not wrap conductors around the terminal screws.

Watlow miniature connectors can accommodate wire sizes up to 20 AWG, stranded. The connector is made of high impact strength, 200°C (400°F) rated, glass-filled thermoplastic. To maintain the highest measurement accuracy, matching thermocouple alloy materials are employed throughout. The same fine features and high quality performance characteristics found in Watlow's standard connectors also apply with the miniature connectors.

Miniature Connectors Compared with Standard Connectors

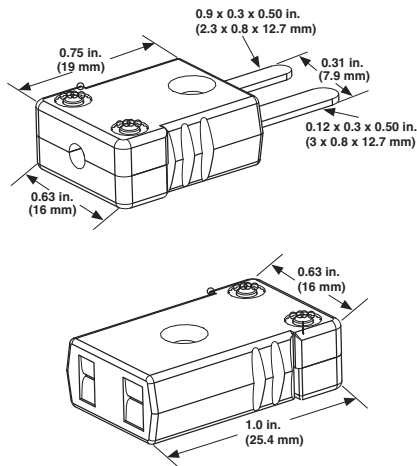


Note: All accessories subject to minimum purchase quantities.

Accessories

Connector Systems

Miniature Thermocouple Connector System, 400°F



Ordering Information—To order, complete the part number on the right with the information below:

1 2 3 4 5 6 7
M C - - A T

1-2. "M" SERIES Miniature Connector, 204°C (400°F)

3. Style

- M = Male (plug)
- F = Female (jack)

4. Calibration

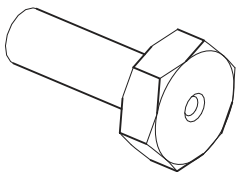
- E = Type E
- J = Type J
- K = Type K
- N = Type N
- R = Type R
- S = Type S
- T = Type T
- U = Uncompensated

5. Name Plate

- W = With Watlow name
- N = Without name label

6-7. Color Code

- AT = ASTM E 230 color code/uncompensated = white

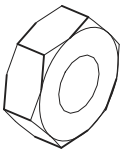


Crimp Style

1 2 3 4 5 6
M B C -

4-6. Sheath size

- 040 = 0.040 inches
- 063 = 0.063 inches



Braze Style

1 2 3 4 5 6
M B B -

4-6. Sheath size

- 040 = 0.040 inches
- 063 = 0.063 inches
- 125 = 0.125 inches

Note: All accessories subject to minimum purchase quantities.